

PROPER INSTALLATION OF TELESCOPIC BALL JOINTS

JANUARY 8, 2019

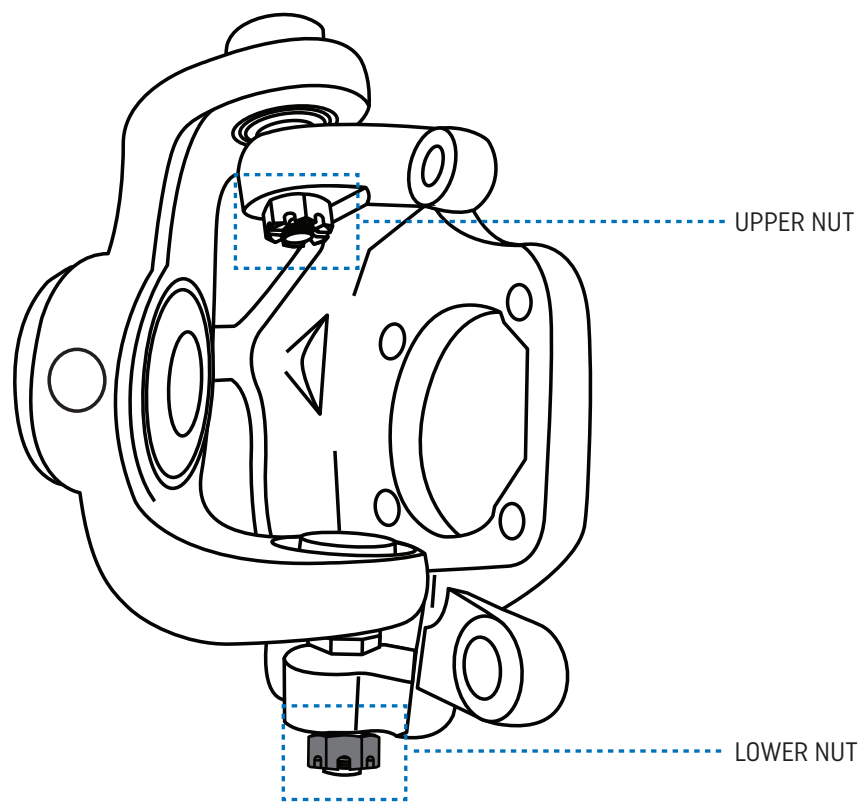
Proper Installation of Telescopic Ball Joints

Some 4x4 Dodge trucks and Jeeps have solid front axles that use a telescopic upper ball joint to compensate for part-to-part tolerances between the axle and steering knuckle.

Telescopic ball joints allow for axial movement of the ball stud in the upper ball joint. This movement can often be misdiagnosed as a defective product with either the wrong ball stud length or too much end play. The stud on the upper ball joint will extend or retract to the correct position during installation.

When reassembling the steering knuckle to the axle, it's important to use the correct nut torques and follow the tightening sequence provided on the attached chart.

Following this procedure will ensure that the telescopic ball joint is correctly seated and that the steering knuckle will turn smoothly.



PROPER INSTALLATION OF TELESCOPIC BALL JOINTS JANUARY 8, 2019

MAKE	MODEL	YEAR	LOCATION	TTX	SUPREME	OG	TIGHTENING SEQUENCE	NOTES	
Dodge/Ram	1500	1994-1999	Upper	TXK3134T	MK3134T	GK3134T	1. Lower 80 ft.lbs.(110 Nm) 2. Upper 75 ft.lbs.(100 Nm)	Dana 44 Axle	
			Lower	TXK8195T	MS8195T	GK8195T		Dana 44 Axle 216 FBI Axle	
		2000-2001	Upper	TXK3134T	MK3134T	GK3134T		1. Lower 35 ft.lbs.(50 Nm) 2. Upper 70 ft.lbs.(95 Nm) 3. Lower 150 ft.lbs.(200 Nm)	8 Lug Wheels AAM 9.25" Axle
			Lower	N/A	MK7401	GK7401			
		2006-2008	Upper	N/A	MS25506	GK25506		1. Lower 80 ft.lbs.(110 Nm) 2. Upper 75 ft.lbs.(100 Nm)	
			Lower	TXK7467	MK7467	GK7467			
	2500	1994-1999	Upper	TXK3134T	MK3134T	GK3134T	1. Lower 35 ft.lbs.(50 Nm) 2. Upper 70 ft.lbs.(95 Nm) 3. Lower 150 ft.lbs.(200 Nm)	Dana 44 Axle	
			Lower	TXK8195T	MK8195T	GK8195T		Dana 60 Axle 248 FBI Axle	
		2000-2002	Upper	N/A	MK7394	GK7394		1. Lower 35 ft.lbs.(50 Nm) 2. Upper 70 ft.lbs.(95 Nm) 3. Lower 150 ft.lbs.(200 Nm)	AAM 9.25" Axle
			Lower	TXMS25557	MK7397	GK7397			AAM 9.25" Axle
		2003-2013	Upper	N/A	MS25506	GS25506		1. Lower 35 ft.lbs.(50 Nm) 2. Upper 70 ft.lbs.(95 Nm) 3. Lower 150 ft.lbs.(200 Nm)	
			Lower	TXK7467	MK7467	GK7467			
		2014-2018	Upper	N/A	MS25506	GS25506		1. Lower 35 ft.lbs.(50 Nm) 2. Upper 70 ft.lbs.(95 Nm) 3. Lower 150 ft.lbs.(200 Nm)	
			Lower	TXMS25532	MS25532	N/A			
	3500	2000-2002	Upper	N/A	MK7394	GK7394	1. Lower 35 ft.lbs.(50 Nm) 2. Upper 70 ft.lbs.(95 Nm) 3. Lower 150 ft.lbs.(200 Nm)	Dana 60 Axle	
Lower			TXMS25557	MK7397	GK7397	AAM 9.25" Axle			
2003-2013		Upper	N/A	MS25506	GK25506	1. Lower 35 ft.lbs.(50 Nm) 2. Upper 70 ft.lbs.(95 Nm) 3. Lower 150 ft.lbs.(200 Nm)			
		Lower	N/A	MK7467	GK7467				
2014-2018		Upper	N/A	MS25506	GS25506	1. Lower 35 ft.lbs.(50 Nm) 2. Upper 70 ft.lbs.(95 Nm) 3. Lower 150 ft.lbs.(200 Nm)			
		Lower	TXMS25532	MS25532	N/A				
Jeep	Cherokee	1984-1989	Upper	TXK3134T	MK3134T	GK3134T	1. Lower 80 ft.lbs.(110 Nm) 2. Upper 75 ft.lbs.(100 Nm)	Dana 44 Axle	
			Lower	TXK3137T	MK3137T	GK3137T			
		1990-2001	Upper	TXK3134T	MK3134T	GK3134T			
	Lower		TXK3161T	MK3161T	GK3161T				
	Comanche	1986-1989	Upper	TXK3134T	MK3134T	GK3134T			
			Lower	TXK3137T	MK3137T	GK3137T			
	1990-1992	Upper	TXK3134T	MK3134T	GK3134T				
		Lower	TXK3161T	MK3161T	GK3161T				
	Grand Cherokee	1993-1998	Upper	TXK3134T	MK3134T	GK3134T			
			Lower	TXK3161T	MK3161T	GK3161T			
	1999-2004	Upper	TXK3134T	MK3134T	GK3134T				
		Lower	TXK3185	MK3185	GK3185				
	Grand Wagoneer	1993	Upper	TXK3134T	MK3134T	GK3134T			
			Lower	TXK3161T	MK3161T	GK3161T			
	TJ	1997-2006	Upper	TXK3134T	MK3134T	GK3134T			
			Lower	TXK3161T	MK3161T	GK3161T			
	Wagoneer	1984-1989	Upper	TXK3134T	MK3134T	GK3134T			
			Lower	TXK3137T	MK3137T	GK3137T			
		1990	Upper	TXK3134T	MK3134T	GK3134T			
			Lower	TXK3161T	MK3161T	GK3161T			
	Wrangler	1987-1989	Upper	TXK3134T	MK3134T	GK3134T			
			Lower	TXK3137T	MK3137T	GK3137T			
		1990-2006	Upper	TXK3134T	MK3134T	GK3134T			
			Lower	TXK3161T	MK3161T	GK3161T			
		2007-2017	Upper	TXK3134T	MK3134T	GK3134T			
			Lower	TXK3185	MK3185	GK3185			
	Wrangler JK	2018	Upper	TXK3134T	MK3134T	GK3134T			
			Lower	TXK3185	MK3185	GK3185			

